




## SKIC Speaker Mounting Kit

Congratulations on purchasing your Kramer **SKIC Speaker Mounting Kit** which is used for securing in-ceiling speakers to the ceiling T-channel grid and comes in three sizes: **SKIC-4** for the **Galil 4-CO**, **SKIC-6** for the **Galil 6-CO** and **SKIC-8** for the **Galil 8-CO**.

The back can speakers are supported by a C-ring and two tile rails (the tile rails prevent the speakers from falling if the tile itself comes out or falls apart, as their ends catch onto the T-grid). When mounting onto the ceiling tiles, use both supports. When mounting onto a sheetrock ceiling, the C-ring alone is used to reinforce the ceiling material.

Be sure that the tiles can support the speaker. Smaller sized tiles or fiberglass-type tiles cannot support the weight of the speakers. In such a case, the speakers will require additional support.

Each **SKIC Speaker Mounting Kit** includes:

<p>Eight support ring screws, washers and nuts</p> 	<p>Two ceiling support rings (C-ring)</p> 	<p>Four tile rails</p> 
--	---	---

## Installing the Speaker Mounting Kit

The **SKIC** is installed after cutting the opening in the ceiling tile for the speakers.

To install the **SKIC**, as illustrated in the example in [Figure 1](#), do the following:

1. Place the C-ring over the hole cut in the ceiling tile (on the “ceiling” side). Place it around the hole so that the tabs are located in parallel to the tile edges.

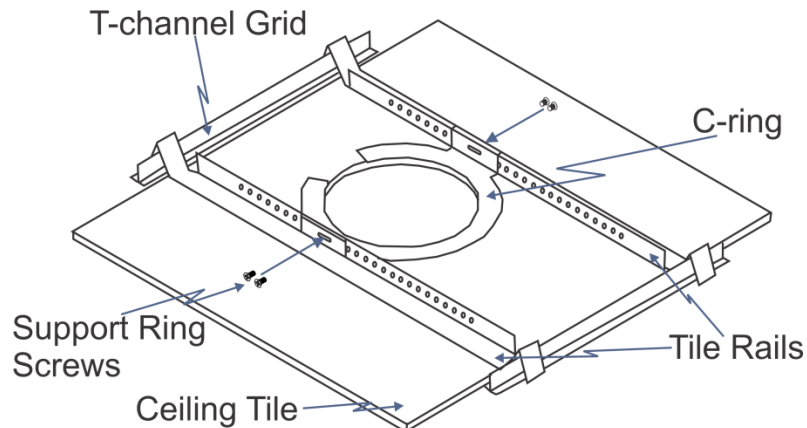


Figure 1: Installing the Back Can Speakers

2. Place the tile rails on the tile and snap them into the two tabs on the C-ring. Align the rails so that the ends extend over the T-channel grid.
3. Insert 2 screws through each tab on the C-ring to secure the rails.
4. Push the speaker into the ceiling hole until the front baffle rim is leveled with the ceiling.
5. Tighten the mounting tabs (see [Figure 2](#)).  
When tightening the mounting tabs, the tabs automatically turn outward, thus clamping the speaker to the wall from its rear side.  
**Note:** Do not over-tighten the mounting tabs. It may cause damage to both the speakers and the surface.

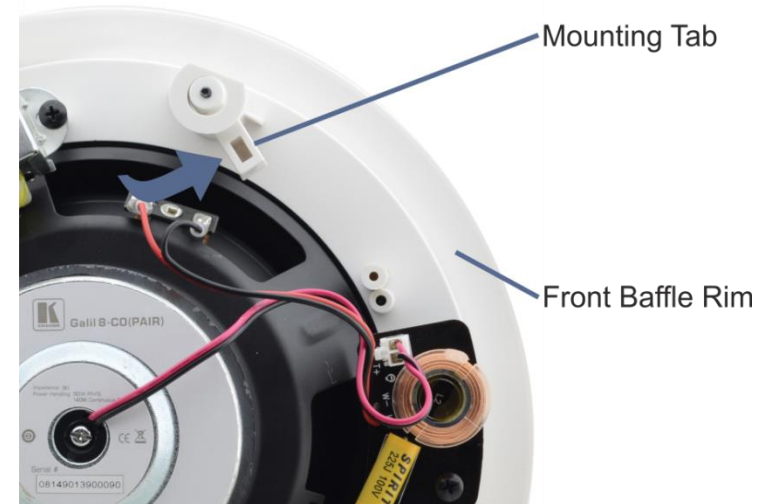


Figure 2: Tightening the Mounting Tabs

## Specifications

DIMENSIONS:	Tile rails: 64.1cm x 2.2cm x 2.3cm (25.2" x 0.87" x 0.97") W, D, H 21.6cm x 8cm (8.5" x 3.15")		
	Model	Outer Diameter	Inner Diameter
	<b>SKIC 4</b>	18.5cm (7.28")	14.2cm (5.6")
	<b>SKIC 6</b>	24.2cm (9.53")	20cm (7.9")
	<b>SKIC 8</b>	28.6cm (11.3")	24.4cm (9.6")
DISTANCE BETWEEN FIXING POINTS:	<b>SKIC 4:</b> 19.1cm (7.5") approx. <b>SKIC 6:</b> 25.1cm (9.9") approx. <b>SKIC 8:</b> 29.5cm (11.6") approx.		
WEIGHT OF MOUNTING KIT (FOR PAIR):	<b>SKIC 4:</b> 1.03kg (2.27lbs) approx. <b>SKIC 6:</b> 1.08kg (2.38lbs) approx. <b>SKIC 8:</b> 1.14kg (2.51lbs) approx.		
SHIPPING WEIGHT (FOR PAIR):	<b>SKIC 4:</b> 1.18kg (2.6lbs) approx. <b>SKIC 6:</b> 1.27kg (2.8lbs) approx. <b>SKIC 8:</b> 1.36kg (3lbs) approx.		



KRAMER ELECTRONICS LTD.

# Installation Instructions

MODELS:

**SKIC-4** (for the Galil 4-CO)  
**SKIC-6** (for the Galil 6-CO)  
**SKIC-8** (for the Galil 8-CO)

Speaker Mounting Kits

For the latest information on our products and a list of Kramer distributors, visit our Web site where updates to these installation instructions may be found.

**We welcome your questions, comments, and feedback.**

Web site: [www.kramerelectronics.com](http://www.kramerelectronics.com)

E-mail: [info@kramerel.com](mailto:info@kramerel.com)



## SAFETY WARNING

Disconnect the unit from the power supply before opening and servicing

P/N: 2900-300440 Rev 2



P/N: 2900-300440



Rev: 2